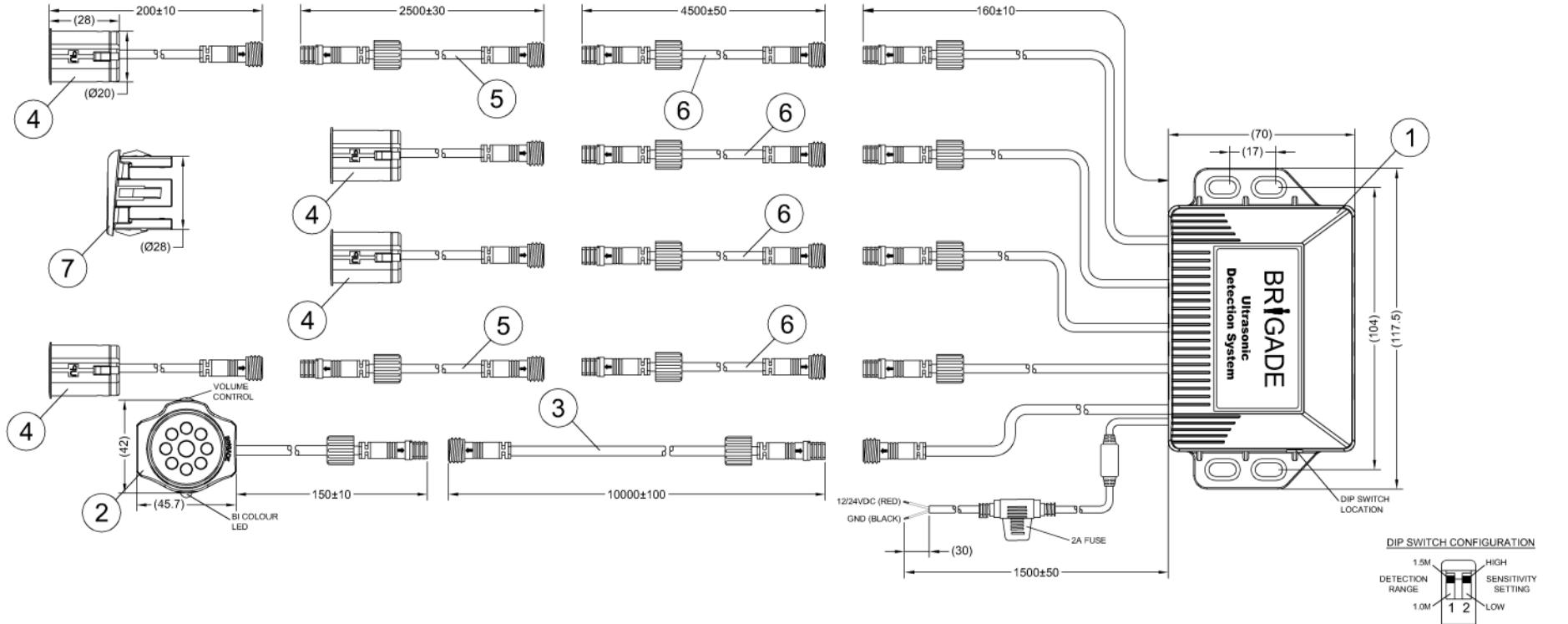


ITEM	STOCK CODE	QTY	DESCRIPTION
1	#3713	1	SS-4000W-ECU SIDE SCAN ECU
2	#3715	1	UDS-001BZ BUZZER WITH LED
3	#3716	1	UDS-10BC 10M BUZZER CABLE
4	#3718	4	UDS-000HSS HIGH SENSITIVITY SENSORS
5	#3719	2	UDS-2.5SC 2.5M SENSOR CABLE
6	#3720	4	UDS-4.5SC 4.5M SENSOR CABLE
7	#3721	4	UDS-00SS SENSOR SLEEVES 0°
8	#3723	4	UDS-11SS SENSOR SLEEVES 11° (NOT SHOWN)
9	#3727	4	UDS-00SMP 0° RUBBER PAD (NOT SHOWN)
10	#3726	4	UDS-00SM SENSOR MOUNT (NOT SHOWN)
11	#3728	1	UDS-IG ULTRASONIC USER GUIDE (NOT SHOWN)
12	#3730	1	SS-4000-FIX FIXING KIT (NOT SHOWN)

Revision Notes.		
PREVIOUSLY UNRELEASED		
BUZZER VOLUME CONTROL & WARNING LED RELOCATED.		
Checked By: -	Approved By: -	Date Released: -
ASSEMBLY PLANT REFERENCE ADDED, WARNINGS UPDATED.		
Checked By: -	Approved By: -	Date Released: -
FERRITE ADDED TO POWER CABLE.		
Checked By: M.P	Approved By: S.M	Date Released: 23/09/11



- NOTES:
1. DIMENSIONS IN MM.
 2. WHEN THE SYSTEM IS POWERED BUT NOT DETECTING THE LED WILL REMAIN GREEN.
 3. ALL AUDIBLE WARNINGS ARE MEASURED IN BEEPS PER SECOND (bps).
 4. ALL VISUAL WARNINGS ARE RED AND ARE MEASURED IN FLASHES PER SECOND ((fps).
 5. THE ECU WILL BEEP ONCE FOR ONE FAULTY SENSOR, TWICE FOR TWO FAULTY SENSORS ETC...

PROPRIETARY NOTICE
 THIS DESIGN AND TECHNICAL INFORMATION APPEARING ON THIS DRAWING IS THE PROPERTY OF BRIGADE ELECTRONICS, AND IS DISCLOSED IN CONFIDENCE. IT IS NOT TO BE COPIED, REPRODUCED, REVEALED TO OR EXPROPRIATED BY OTHERS, EITHER IN WHOLE OR IN PART WITHOUT THE EXPRESS WRITTEN CONSENT OF BRIGADE ELECTRONICS.



Assembly Pl Approval LEE QG - 19.07-2011	Approved by S.MATTHEWS	Checked by M.POTTER	Drawn by M.BUTLER
Angle of Projection 	Units mm	Scale N/A	Released 01/08/11
Status RELEASED	SS-4000W		
Stock Code #3711	BE-001512-03-11		